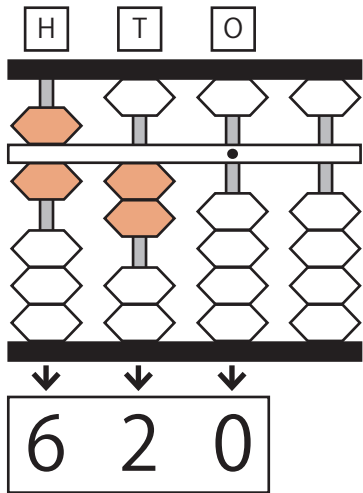


Soroban Practice 3b: Greater or less than (100~1000)

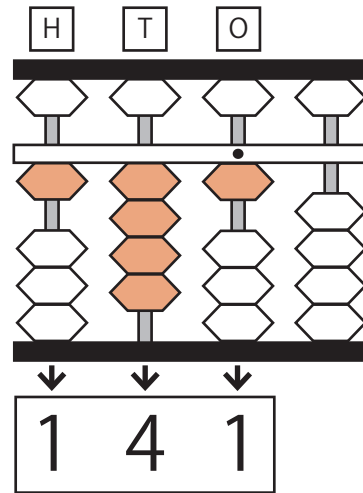
What number does each soroban show?

Compare the numbers by using the correct symbol. > is greater than, < is less than.

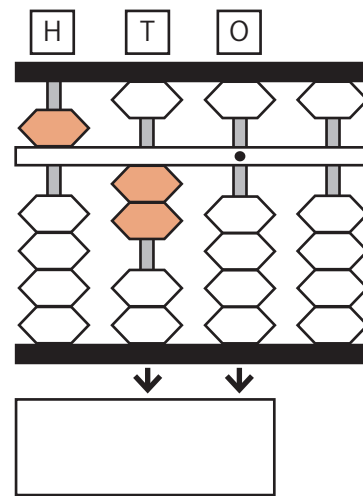
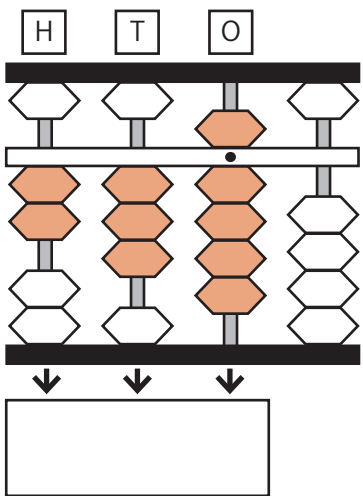
Ex.



>



Q1.



Q2.

