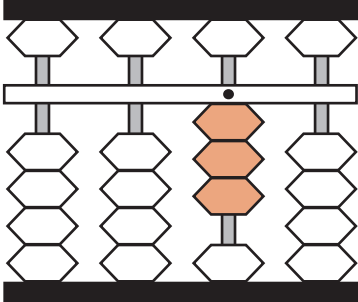


Soroban Practice 1: Numbers 1 - 9

What number does the soroban show? Write your answers below each soroban.

Ex.

H	T	O
---	---	---

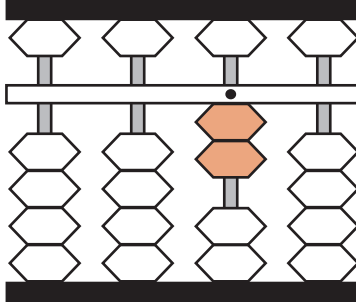


↓

3

Q1.

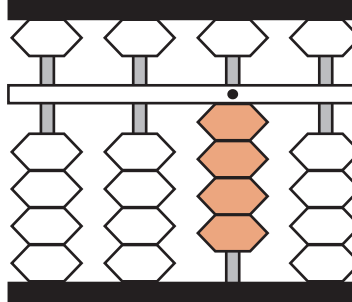
H	T	O
---	---	---



↓

Q2.

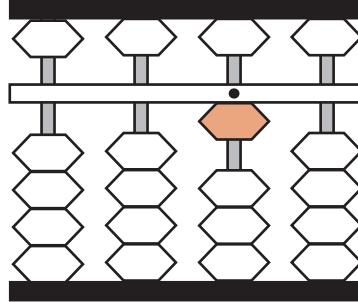
H	T	O
---	---	---



↓

Q3.

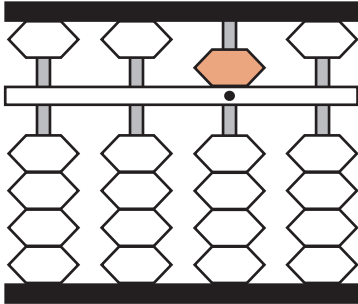
H	T	O
---	---	---



↓

Q4.

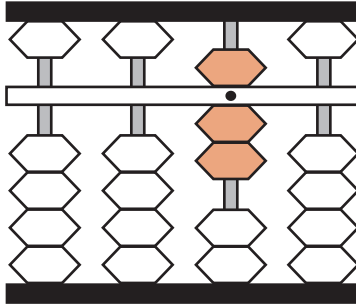
H	T	O
---	---	---



↓

Q5.

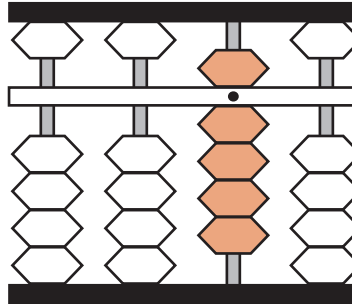
H	T	O
---	---	---



↓

Q6.

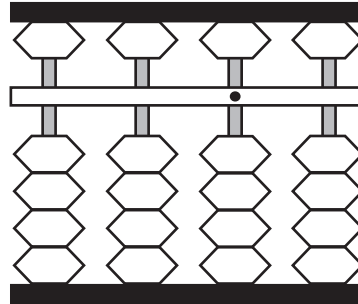
H	T	O
---	---	---



↓

Q7.

H	T	O
---	---	---



↓