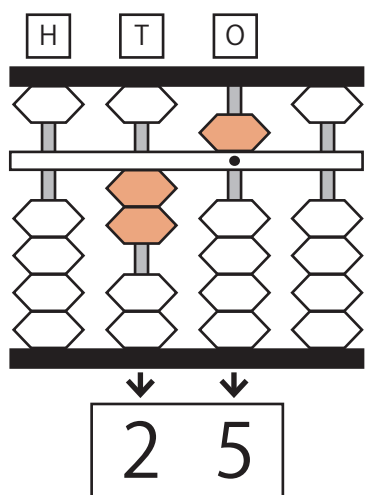


## Soroban Practice 3a: Greater or less than (0~100)

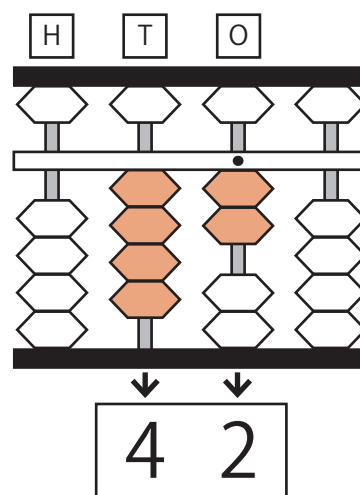
What number does each soroban show?

Compare the numbers by using the correct symbol. > is greater than, < is less than.

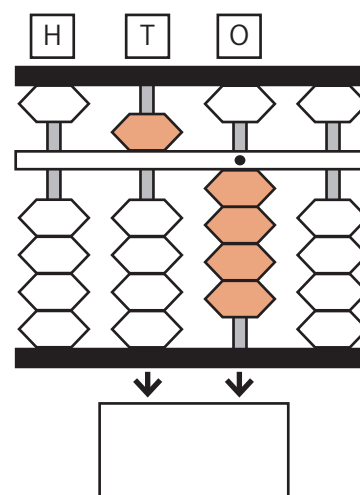
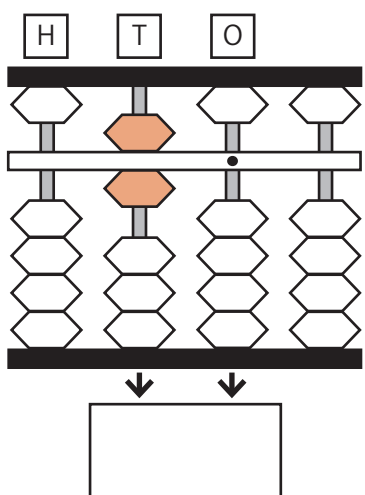
Ex.



<



Q1.



Q2.

