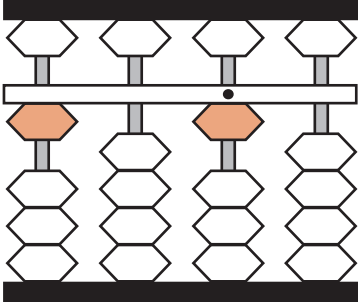


## Soroban Practice 2b: Numbers above 100

What number does the soroban show? Write your answers below each soroban.

Ex. 

H	T	O
---	---	---

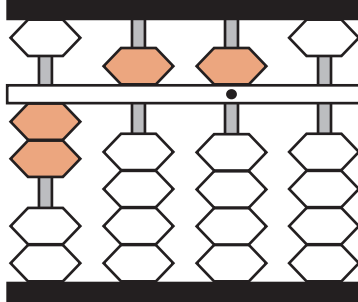


↓ ↓ ↓

1	0	1
---	---	---

Q1. 

H	T	O
---	---	---

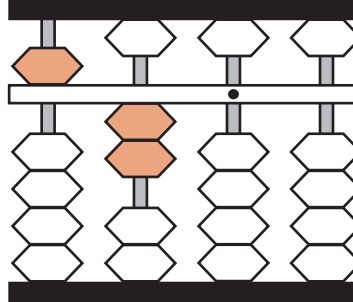


↓ ↓ ↓

--	--	--

Q2. 

H	T	O
---	---	---

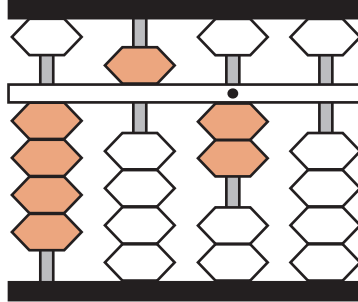


↓ ↓ ↓

--	--	--

Q3. 

H	T	O
---	---	---

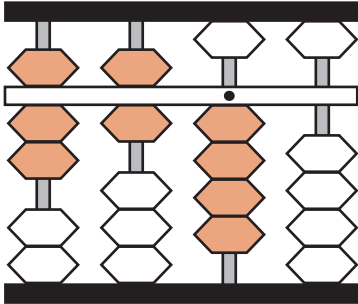


↓ ↓ ↓

--	--	--

Q4. 

H	T	O
---	---	---

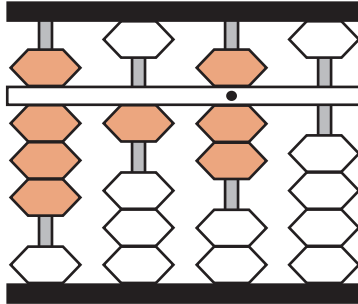


↓ ↓ ↓

--	--	--

Q5. 

H	T	O
---	---	---

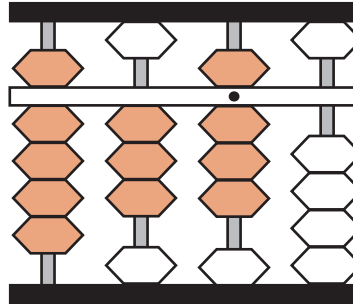


↓ ↓ ↓

--	--	--

Q6. 

H	T	O
---	---	---

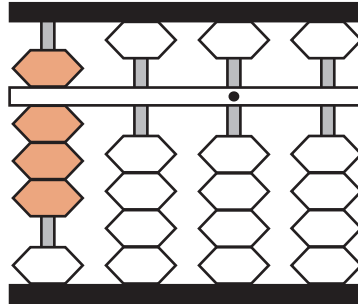


↓ ↓ ↓

--	--	--

Q7. 

H	T	O
---	---	---



↓ ↓ ↓

--	--	--