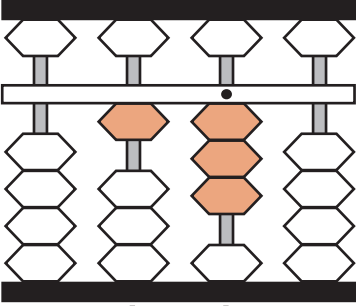


## Soroban Practice 2a: Numbers above 10

What number does the soroban show? Write your answers below each soroban.

Ex. 

H	T	O
---	---	---

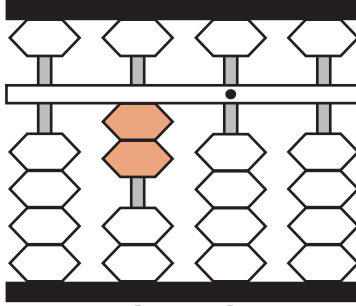


↓ ↓

1	3
---	---

Q1. 

H	T	O
---	---	---

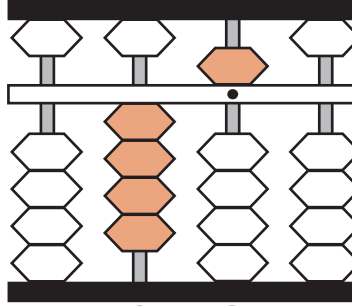


↓ ↓

2	0
---	---

Q2. 

H	T	O
---	---	---

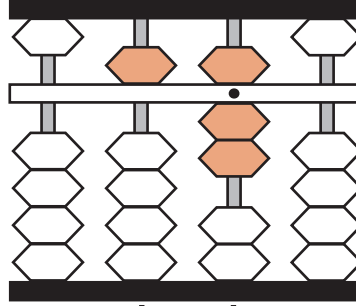


↓ ↓

4	5
---	---

Q3. 

H	T	O
---	---	---

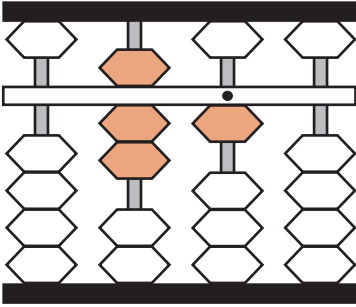


↓ ↓

5	7
---	---

Q4. 

H	T	O
---	---	---

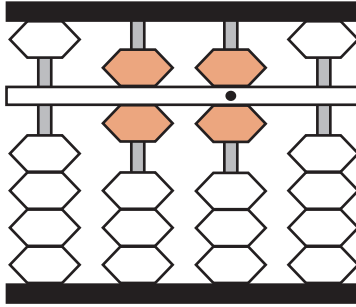


↓ ↓

7	1
---	---

Q5. 

H	T	O
---	---	---

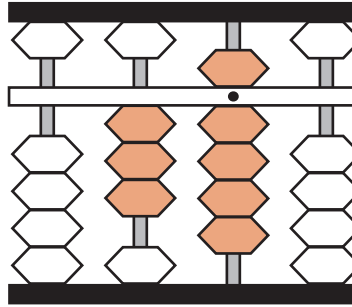


↓ ↓

6	6
---	---

Q6. 

H	T	O
---	---	---

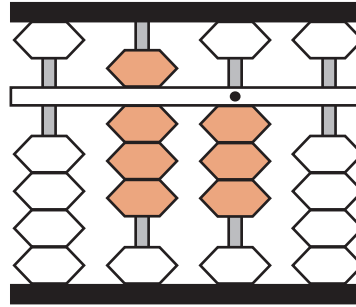


↓ ↓

3	9
---	---

Q7. 

H	T	O
---	---	---



↓ ↓

8	3
---	---