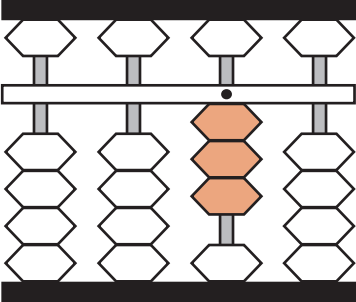


Soroban Practice 1: Numbers 1 - 9

What number does the soroban show? Write your answers below each soroban.

Ex.

H	T	O
---	---	---

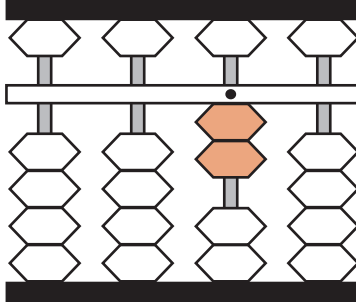


↓

3

Q1.

H	T	O
---	---	---

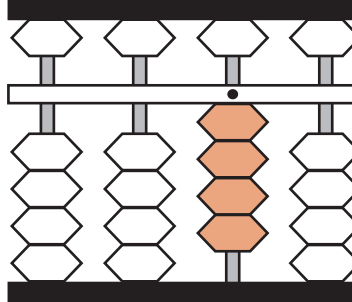


↓

2

Q2.

H	T	O
---	---	---

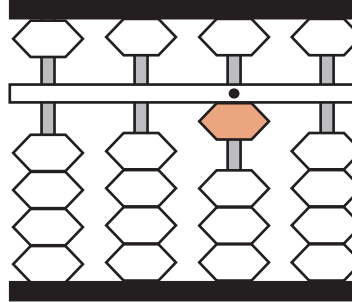


↓

4

Q3.

H	T	O
---	---	---

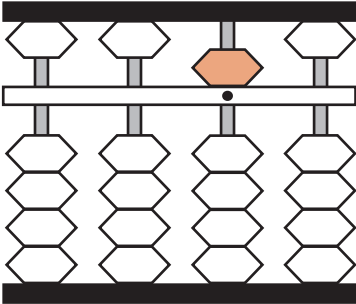


↓

1

Q4.

H	T	O
---	---	---

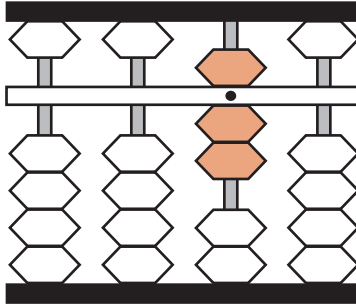


↓

5

Q5.

H	T	O
---	---	---

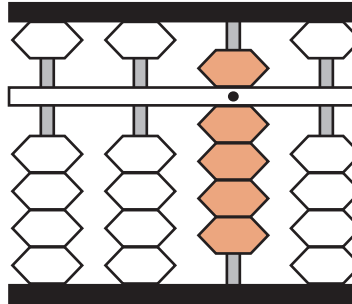


↓

7

Q6.

H	T	O
---	---	---

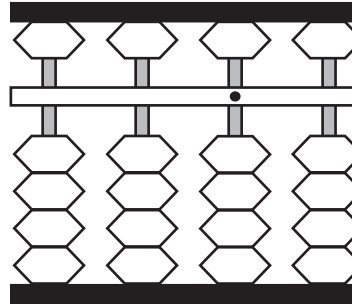


↓

9

Q7.

H	T	O
---	---	---



↓

0