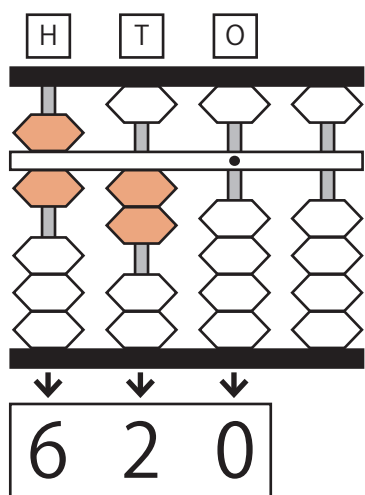


Soroban Practice 3b: Greater or less than (100~1000)

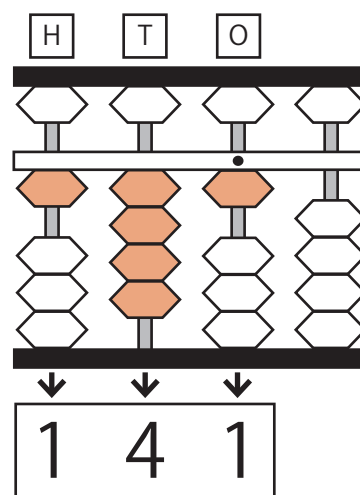
What number does each soroban show?

Compare the numbers by using the correct symbol. > is greater than, < is less than.

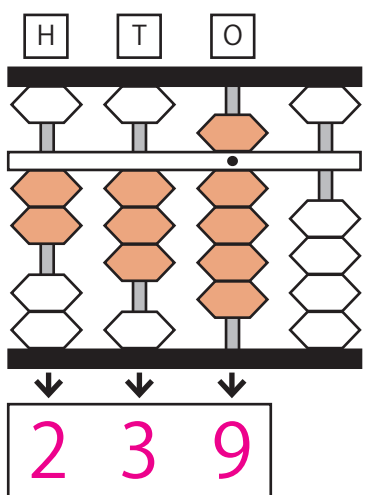
Ex.



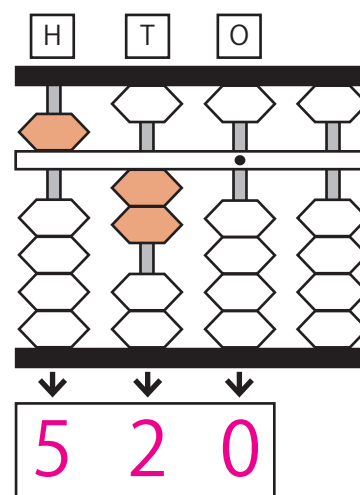
>



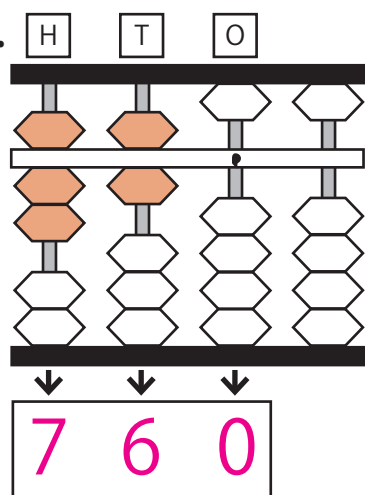
Q1.



<



Q2.



>

