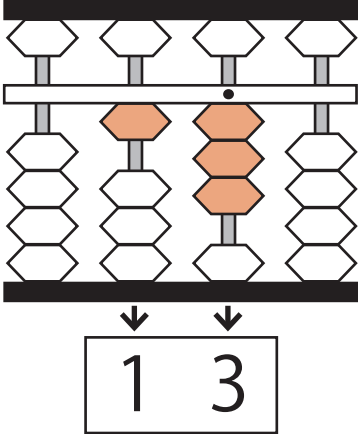


## Soroban Practice 2a: Numbers above 10

What number does the soroban show? Write your answers below each soroban.

Ex. 

H	T	O
---	---	---

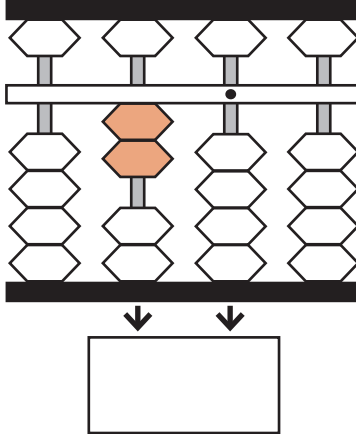


↓ ↓

1 3

Q1. 

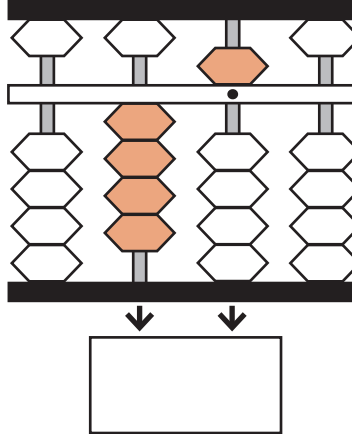
H	T	O
---	---	---



↓ ↓

Q2. 

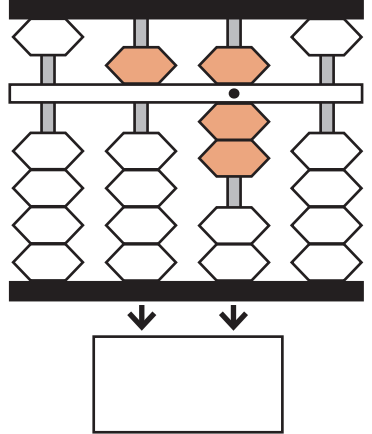
H	T	O
---	---	---



↓ ↓

Q3. 

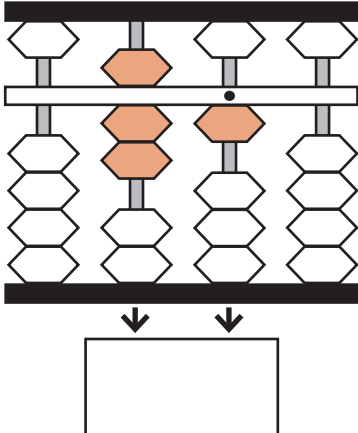
H	T	O
---	---	---



↓ ↓

Q4. 

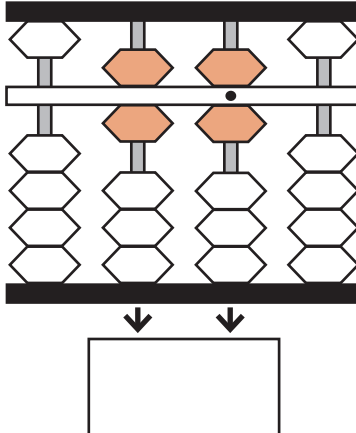
H	T	O
---	---	---



↓ ↓

Q5. 

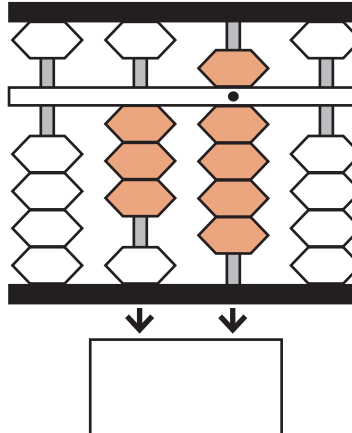
H	T	O
---	---	---



↓ ↓

Q6. 

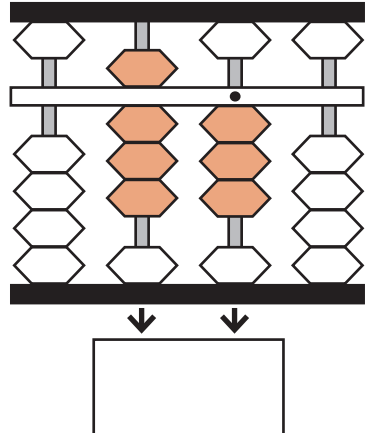
H	T	O
---	---	---



↓ ↓

Q7. 

H	T	O
---	---	---



↓ ↓