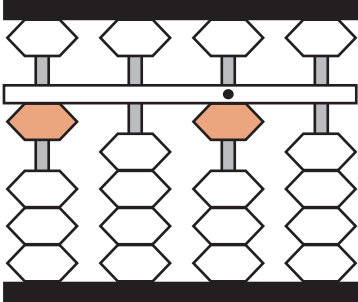


Soroban Practice 2b: Numbers above 100

What number does the soroban show? Write your answers below each soroban.

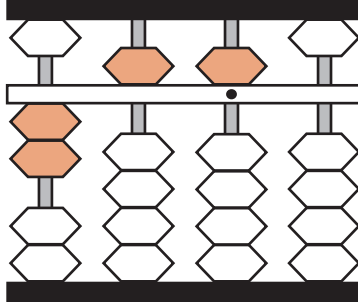
Ex. H T O



↓ ↓ ↓

1 0 1

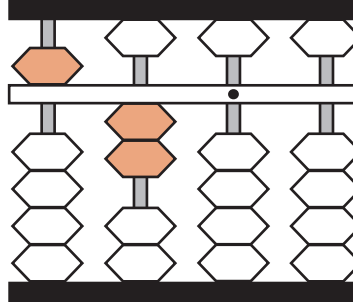
Q1. H T O



↓ ↓ ↓

2 5 5

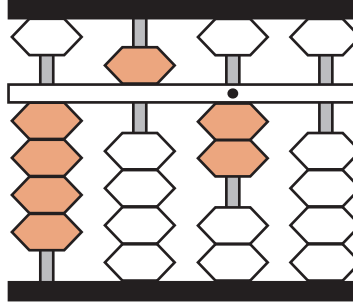
Q2. H T O



↓ ↓ ↓

5 2 0

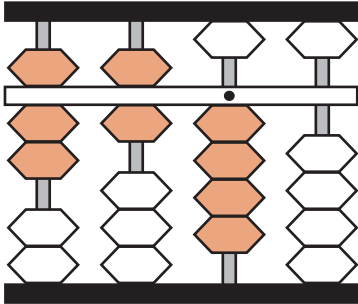
Q3. H T O



↓ ↓ ↓

4 5 2

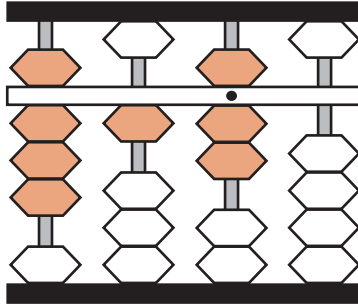
Q4. H T O



↓ ↓ ↓

7 6 4

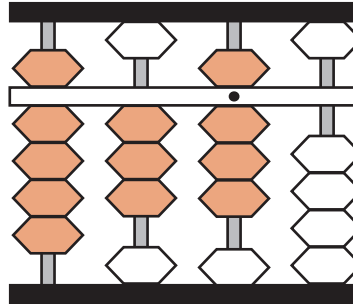
Q5. H T O



↓ ↓ ↓

8 1 7

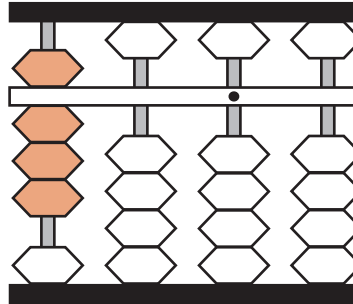
Q6. H T O



↓ ↓ ↓

9 3 8

Q7. H T O



↓ ↓ ↓

8 0 0